

Lucas

TECNOLOGIA

Testados em bancadas de última geração

ALTA PRECISÃO

Calibrados com ferramentas de alta precisão

ORIGINAIS

Todos os bicos são 100% novos e originais Lucas Diesel Systems



Injetores e Componentes para o Mercado Brasileiro



ÍNDICE

| | |
|--------------------|----|
| Aplicações | 2 |
| Itens de Reposição | 10 |
| Referências | 16 |

Aplicações

| | |
|---------------|---|
| Agrale - Dutz | 3 |
| Case | 3 |
| Chevrolet | 3 |
| Citroen | 3 |
| Fiat | 4 |
| Ford | 4 |
| Ford | 5 |
| Hyundai | 5 |
| Iveco | 5 |
| John Deere | 6 |
| Kia | 6 |
| Komatsu | 6 |
| Mahindra | 6 |
| Man | 6 |
| Marcopolo | 6 |
| Mercedes-Benz | 6 |
| Mitsubishi | 6 |
| New Holland | 7 |
| Nissan | 7 |
| Peugeot | 7 |
| Renault | 7 |
| SsangYong | 7 |
| Toyota | 7 |
| Volkswagem | 8 |
| Volvo | 9 |



Modelo

Código
do MotorAno de
Fabricação

Litros

Potência
(HP)Sistema
de injeçãoReferência
Lucas InjetorReferência
Injetor**Agrale - Dutz**

| | | | | | | | |
|------------------------|----------|---------------|-----|-----|-------|----------|------------|
| 6500 | ISF 3.8 | 01.12 - 12.14 | 3.8 | 152 | Bosch | LDFB1880 | 0445120297 |
| 8700 | ISF 3.8 | 01.12 - | 3.8 | 152 | Bosch | LDFB1880 | 0445120297 |
| 10000S | ISF 3.8 | 01.15 - | 3.8 | 162 | Bosch | LDFB1880 | 0445120297 |
| 8500 E-Tronic | 4.08 TCE | 10.05 - 12.11 | 3.0 | 140 | Bosch | LDFB0160 | 0445110231 |
| A7500 | ISF 3.8 | 09.15 | 3.8 | 152 | Bosch | LDFB1880 | 0445120297 |
| Furovan 6000 E-Tronic | 4.07 TCE | 10.05 - 12.11 | 2.8 | 140 | Bosch | LDFB0160 | 0445110231 |
| MA 10.0 | ISF 3.8 | 08.07 - | 3.8 | 162 | Bosch | LDFB0160 | 0445120297 |
| MA 12.0 E-Tronic | ISBe4 | 01.05 - 12.09 | 3.9 | 170 | Bosch | LDFB0257 | 0445120007 |
| MA 12.0LE/SB E-Tronic | ISBe4 | 01.05 - 12.09 | 3.9 | 170 | Bosch | LDFB0257 | 0445120007 |
| MA 12.0LE/SB E-Tronic | ISBe6 | 01.05 - 12.09 | 5.9 | 185 | Bosch | LDFB0257 | 0445120007 |
| MA 12.0LE/SB E-Tronic | ISBe6 | 01.05 - 12.09 | 5.9 | 220 | Bosch | LDFB0257 | 0445120007 |
| MA 8.7 | ISF 3.8 | 10.12 - | 3.8 | 152 | Bosch | LDFB1880 | 0445120297 |
| MA 9.2E | ISF 3.8 | 01.04 - 11.11 | 3.8 | 150 | Bosch | LDFB1880 | 0445120297 |
| Marrua 2.8 TDI | 4.07 TCE | 07.06 - 12.11 | 2.8 | 140 | Bosch | LDFB0160 | 0445110231 |
| Marrua 2.8 TDI Pick-Up | 4.07 TCE | 07.06 - 12.11 | 2.8 | 140 | Bosch | LDFB0160 | 0445110231 |
| MT 12.0 LE | ISF 3.8 | 10.12 - | 3.8 | 160 | Bosch | LDFB1880 | 0445120297 |
| V5 2.8D | 4.07 TCE | 01.06 - 12.11 | 2.8 | 140 | Bosch | LDFB0160 | 0445110231 |
| V5 3.8 | ISF 3.8 | 01.12 - | 3.8 | 152 | Bosch | LDFB1880 | 0445120297 |
| V6 3.0D | 4.08 TCE | 01.06 - 12.11 | 3.0 | 140 | Bosch | LDFB0160 | 0445110231 |
| V6 3.8 | ISF 3.8 | 01.12 - | 3.8 | 152 | Bosch | LDFB1880 | 0445120297 |
| V8 3.8 | ISF 3.8 | 01.12 - | 3.8 | 152 | Bosch | LDFB1880 | 0445120297 |

Case

| | | | | | | | |
|-------|-----------|---------|-----|-----|-------|----------|------------|
| 721E | 667TA/EED | 12.08 - | 6.7 | 186 | Bosch | LDFB0272 | 0445120057 |
| A8000 | | 04.09 - | 9.0 | 354 | Bosch | LDFB1621 | 0445120092 |
| A8800 | | 04.09 - | 9.0 | 354 | Bosch | LDFB1621 | 0445120092 |
| A8800 | CURSOR9 | 01.17 - | 8.7 | 358 | Bosch | LDFB1621 | 0445120092 |

Chevrolet

| | | | | | | | |
|-------------------------------|----------|---------------|-----|-----|-------|----------|------------|
| Blazer 2.8 Diesel Electronic | 4.07 TCE | 08.05 - 05.09 | 2.8 | 140 | Bosch | LDFB0160 | 0445110231 |
| S10 2.8 4x4 Diesel Electronic | 4.07 TCE | 08.05 - 01.12 | 2.8 | 140 | Bosch | LDFB0160 | 0445110231 |
| S10 2.8 CTDI 4x2 | XLD28 | 02.12 - 08.13 | 2.8 | 180 | Bosch | LDFB1530 | 0445110354 |
| S10 2.8 CTDI 4x2 | XLD28 | 02.12 - 08.13 | 2.8 | 180 | Bosch | LDFB1964 | 0445110424 |
| S10 2.8 CTDI 4x4 | XLD28 | 02.12 - 08.13 | 2.8 | 180 | Bosch | LDFB1530 | 0445110354 |
| S10 2.8 CTDI 4x4 | XLD28 | 02.12 - 08.13 | 2.8 | 180 | Bosch | LDFB1964 | 0445110424 |
| TrailBlazer 2.8 CTDI | XLD28 | 11.12 - 08.13 | 2.8 | 69 | Bosch | LDFB1530 | 0445110354 |
| TrailBlazer 2.8 CTDI | XLD28 | 11.12 - 08.13 | 2.8 | 69 | Bosch | LDFB1964 | 0445110424 |

Citroen

| | | | | | | | |
|-----------------|-----------|---------------|-----|-----------|-------|----------|-------------|
| JJumper 2.3 HDI | F1AE0481T | 10.09 - 02.12 | 2.3 | 127 | Bosch | LDFB0189 | 0445110273 |
| Jumper 2.3 HDI | F1C | 03.12 - | 2.3 | 127 | Bosch | LDFB1914 | 0445110520 |
| Jumper 2.8 HDI | 8140.43S | 09.05 - 09.09 | 2.8 | 127 | Bosch | LDFB0254 | 0445120002 |
| Relay 2.2D | 4HU | 01.06 - | 2.2 | 100 - 120 | Denso | LDFB0377 | 095000-580# |



Modelo

Código do Motor

Ano de Fabricação

Litros

Potência (HP)

Sistema de injeção

Referência Lucas Injetor









Referência Injetor

Fiat

| | | | | | | | |
|--------------------------|-----------|---------------|-----|-----|-------|----------|-------------|
| Ducato Cargo 2.8 JTD | 8140.43S | 06.05 - 08.09 | 2.8 | 127 | Bosch | LDFB0254 | 0445120002 |
| Ducato 2.2D | 4HV | 01.06 - | 2.2 | 100 | Denso | LDFB0377 | 095000-580# |
| Ducato Cargo 2.3 | F1AE0481T | 09.09 - 03.12 | 2.3 | 127 | Bosch | LDFB0189 | 0445110273 |
| Ducato Cargo 2.3 | F1C | 04.12 | 2.3 | 126 | Bosch | LDFB1914 | 0445110520 |
| Ducato Combinato 2.3 | F1AE0481T | 09.09 - 03.12 | 2.3 | 127 | Bosch | LDFB0189 | 0445110273 |
| Ducato Combinato 2.3 | F1C | 04.12 | 2.3 | 126 | Bosch | LDFB1914 | 0445110520 |
| Ducato Combinato 2.8 JTD | 8140.43S | 06.05 - 08.09 | 2.8 | 127 | Bosch | LDFB0254 | 0445120002 |
| Ducato Maxi Cargo 2.3 | F1AE0481T | 09.09 - 03.12 | 2.3 | 127 | Bosch | LDFB0189 | 0445110273 |
| Ducato Maxi Cargo 2.3 | F1C | 04.12 | 2.3 | 126 | Bosch | LDFB1914 | 0445110520 |
| Ducato MaxiCargo 2.8 JTD | 8140.43S | 06.05 - 08.09 | 2.8 | 127 | Bosch | LDFB0254 | 0445120002 |
| Ducato Minibus 2.3 | F1AE0481T | 09.09 - 03.12 | 2.3 | 127 | Bosch | LDFB0189 | 0445110273 |
| Ducato Minibus 2.3 | F1C | 04.12 | 2.3 | 126 | Bosch | LDFB1914 | 0445110520 |
| Ducato MiniBus 2.8 JTD | 8140.43S | 06.05 - 08.09 | 2.8 | 127 | Bosch | LDFB0254 | 0445120002 |
| Ducato Multi 2.3 | F1AE0481T | 09.09 - 03.12 | 2.3 | 127 | Bosch | LDFB0189 | 0445110273 |
| Ducato Multi 2.3 | F1C | 04.12 | 2.3 | 126 | Bosch | LDFB1914 | 0445110520 |
| Ducato Multi 2.8 JTD | 8140.43S | 06.05 - 08.09 | 2.8 | 127 | Bosch | LDFB0254 | 0445120002 |

Ford

| | | | | | | | |
|----------------------|---------|---------------|-----|-----|-------|----------|------------|
| Carco C 2423 | ISB 6.7 | 01.12 - | 6.7 | 230 | Bosch | LDFB1670 | 0445120161 |
| Cargo 2431 | ISB 6.7 | 04.18 - | 6.7 | 306 | Bosch | LDFB1844 | 0445120267 |
| Cargo C 1317 | ISBe4 | 05.11 - 12.11 | 3.9 | 167 | Bosch | LDFB0718 | 0445120212 |
| Cargo C 1317E | ISBe4 | 01.05 - 04.11 | 3.9 | 167 | Bosch | LDFB0718 | 0445120212 |
| Cargo C 1517 | ISBe4 | 05.11 - 12.11 | 3.9 | 167 | Bosch | LDFB0718 | 0445120212 |
| Cargo C 1517E | ISBe4 | 01.05 - 04.11 | 3.9 | 167 | Bosch | LDFB0718 | 0445120212 |
| Cargo C 1717 | ISBe4 | 05.11 - 12.11 | 3.9 | 167 | Bosch | LDFB0718 | 0445120212 |
| Cargo C 1717E | ISBe4 | 01.05 - 04.11 | 3.9 | 167 | Bosch | LDFB0718 | 0445120212 |
| Cargo C 6332 E | ISC | 03.08 - 12.11 | 8.3 | 320 | Bosch | LDFB0763 | 0445120120 |
| Cargo C 1119 | ISB 4.5 | 11.13 - | 4.5 | 189 | Bosch | LDFB1670 | 0445120161 |
| Cargo C 1319 | ISB 4.5 | 01.12 - | 4.5 | 189 | Bosch | LDFB1670 | 0445120161 |
| Cargo C 1519 | ISB 4.5 | 01.12 - | 4.5 | 189 | Bosch | LDFB1670 | 0445120161 |
| Cargo C 1719 | ISB 4.5 | 01.12 - | 4.5 | 189 | Bosch | LDFB1670 | 0445120161 |
| Cargo C 1723 | ISB 6.7 | 01.12 - | 6.7 | 230 | Bosch | LDFB1670 | 0445120161 |
| Cargo C 1723 | ISB 6.7 | 01.12 - | 6.7 | 230 | Bosch | LDFB1844 | 0445120267 |
| Cargo C 1832 e | ISC | 01.10 - 12.11 | 8.3 | 320 | Bosch | LDFB0763 | 0445120120 |
| Cargo C 1932 R | ISC | 04.11 - | 8.3 | 320 | Bosch | LDFB0763 | 0445120120 |
| Cargo C 1932 Tractor | ISC | 04.11 - | 8.3 | 320 | Bosch | LDFB0763 | 0445120120 |
| Cargo C 1933 | ISL 8.9 | 01.12 - | 8.9 | 335 | Bosch | LDFB1867 | 0445120257 |
| Cargo C 1933 Tractor | ISL 8.9 | 01.12 - | 8.9 | 335 | Bosch | LDFB1867 | 0445120257 |
| Cargo C 2423 | ISB 6.7 | 01.12 - | 6.7 | 230 | Bosch | LDFB1844 | 0445120267 |
| Cargo C 2429 | ISB 6.7 | 01.12 - | 6.7 | 290 | Bosch | LDFB1670 | 0445120161 |
| Cargo C 2429 | ISB 6.7 | 01.12 - | 6.7 | 290 | Bosch | LDFB1844 | 0445120267 |
| Cargo C 2623 | ISB 6.7 | 01.12 - | 6.7 | 230 | Bosch | LDFB1670 | 0445120161 |
| Cargo C 2623 | ISB 6.7 | 01.12 - | 6.7 | 230 | Bosch | LDFB1844 | 0445120267 |
| Cargo C 2629 | ISB 6.7 | 01.12 - | 6.7 | 290 | Bosch | LDFB1670 | 0445120161 |
| Cargo C 2629 | ISB 6.7 | 01.12 - | 6.7 | 290 | Bosch | LDFB1844 | 0445120267 |
| Cargo C 2632 | ISC | 05.11 - 12.11 | 8.3 | 320 | Bosch | LDFB0763 | 0445120120 |
| Cargo C 2632 E | ISC | 02.06 - 04.11 | 8.3 | 320 | Bosch | LDFB0763 | 0445120120 |
| Cargo C 2633 | ISL 8.9 | 01.12 - 12.12 | 8.9 | 335 | Bosch | LDFB1867 | 0445120257 |
| Cargo C 2932 E | ISC | 02.06 - 04.11 | 8.3 | 320 | Bosch | LDFB0763 | 0445120120 |
| Cargo C 3132 | ISC | 05.11 - 12.11 | 8.3 | 320 | Bosch | LDFB0763 | 0445120120 |
| Cargo C 3133 | ISL 8.9 | 01.12 - | 8.9 | 335 | Bosch | LDFB1867 | 0445120257 |

|  |  |  |  |  |  |  |  |
|---|---|---|---|---|---|---|---|
| Modelo | Código do Motor | Ano de Fabricação | Litros | Potência (HP) | Sistema de injeção | Referência Lucas Injetor | Referência Injetor |
| Ford | | | | | | | |
| Cargo C 4432 E MaxTon | ISC | 02.06 - 06.07 | 8.3 | 320 | Bosch | LDFB0763 | 0445120120 |
| Cargo C 4532 E MaxTon | ISC | 07.07 - 04.11 | 8.3 | 320 | Bosch | LDFB0763 | 0445120120 |
| Cargo C 5032 E | ISC | 02.06 - 04.11 | 8.3 | 320 | Bosch | LDFB0763 | 0445120120 |
| Cargo C 816 | ISB 4.5 | 01.12 - | 4.5 | 137 | Bosch | LDFB1670 | 0445120161 |
| Ranger 2.2D | TD4 | 01.11 - | 2.2 | 118 - 197 | Siemens - VDO | LDFB0527 | 5WS40745-ZR |
| Ranger 3.0D | NGD Electronic | | 3.0 | | Siemens - VDO | LDFB0710 | 77550 |
| Tourneo 2.2D | TD4 | 01.12 - | 2.2 | 100 - 153 | Siemens - VDO | LDFB0527 | 5WS40745-ZR |
| Transit 2.2D | P8FA | 01.06 - 12.14 | 2.2 | 84 - 110 | Denso | LDFB0377 | 095000-580# |
| Transit 2.2D | TD4 | 01.11 - | 2.2 | 100 - 153 | Siemens - VDO | LDFB0527 | 5WS40745-ZR |

| | | | | | | | |
|-----------------|------|---------------|-----|-----|--------|----------|------------|
| Hyundai | | | | | | | |
| H1 2.5 CRDi VGT | D4CB | 01.08 - | 2.5 | 167 | Delphi | LDFB0711 | 28229873 |
| H1 2.5 CRDi WGT | D4CB | 01.09 - | 2.5 | 134 | Delphi | LDFB0711 | 28229873 |
| HD 78 | | 04.11 - 12.12 | 3.0 | 155 | Bosch | LDFB0168 | 0445110248 |
| Starex 2.5 CRDi | D4CB | 12.03 - 15.07 | 2.5 | 145 | Bosch | LDFB0126 | 0445110186 |
| Starex 2.5 CRDi | D4CB | 12.03 - 15.07 | 2.5 | 145 | Bosch | LDFB0193 | 0445110279 |

| | | | | | | | |
|--------------------------|-----------|---------------|-----|-----|-------|----------|------------|
| Iveco | | | | | | | |
| 170 E 22 Attack | NEF6 | 05.12 - | 5.9 | 218 | Bosch | LDFB0271 | 0445120054 |
| 170 E 25 (T) | F4AE3681D | 12.08 - 04.12 | 5.9 | 250 | Bosch | LDFB0257 | 0445120007 |
| 170 E 28 (S, ST, T) | NEF6 | 05.12 - | 5.9 | 280 | Bosch | LDFB0271 | 0445120054 |
| 240 E 22 Attack | NEF6 | 05.12 - | 5.9 | 218 | Bosch | LDFB0271 | 0445120054 |
| 240 E 25 (S) | F4AE3681D | 12.08 - 04.12 | 5.9 | 253 | Bosch | LDFB0257 | 0445120007 |
| 240 E 28 (S, S Stradale) | NEF6 | 05.12 - | 5.9 | 280 | Bosch | LDFB0271 | 0445120054 |
| 260 E 28 | NEF6 | 05.12 - | 5.9 | 280 | Bosch | LDFB0271 | 0445120054 |
| CC 170 E 22 | F4AE3681D | 06.06 - 12.11 | 5.9 | 207 | Bosch | LDFB0257 | 0445120007 |
| CityClass | 8140.43S | 10.05 - 07.07 | 2.8 | 125 | Bosch | LDFB0254 | 0445120002 |
| CityClass | F1CE0481 | 08.07 - 12.11 | 3.0 | 155 | Bosch | LDFB0168 | 0445110248 |
| Daily 35 S 14 | F1CE0481 | 08.07 - 03.12 | 3.0 | 136 | Bosch | LDFB0168 | 0445110248 |
| Daily 35.13 | 8140.43S | 10.05 - 07.07 | 2.8 | 125 | Bosch | LDFB0254 | 0445120002 |
| Daily 38.13 | 8140.43S | 10.05 - 07.07 | 2.8 | 125 | Bosch | LDFB0254 | 0445120002 |
| Daily 40 S 16 | F1CE0481 | 08.07 - 03.12 | 3.0 | 155 | Bosch | LDFB0168 | 0445110248 |
| Daily 40.13 | 8140.43S | 10.05 - 07.07 | 2.8 | 125 | Bosch | LDFB0254 | 0445120002 |
| Daily 45 S 14 | F1CE0481 | 08.07 - 03.12 | 3.0 | 136 | Bosch | LDFB0168 | 0445110248 |
| Daily 45 S 16 | F1CE0481 | 08.07 - 03.12 | 3.0 | 155 | Bosch | LDFB0168 | 0445110248 |
| Daily 50 C 13 | 8140.43S | 05.99 - 09.04 | 2.8 | 125 | Bosch | LDFB0254 | 0445120002 |
| Daily 50.13 | 8140.43S | 10.05 - 07.07 | 2.8 | 125 | Bosch | LDFB0254 | 0445120002 |
| Daily 55 C 16 | F1CE0481 | 08.07 - 03.12 | 3.0 | 155 | Bosch | LDFB0168 | 0445110248 |
| Daily 70 C 16 | F1CE0481 | 08.07 - 03.12 | 3.0 | 155 | Bosch | LDFB0168 | 0445110248 |
| Daily 70 C 16 HD Massimo | F1CE0481 | 08.07 - 03.12 | 3.0 | 155 | Bosch | LDFB0168 | 0445110248 |
| Daily 70.13 | 8140.43S | 10.05 - 07.07 | 2.8 | 125 | Bosch | LDFB0254 | 0445120002 |
| EuroCargo 170 E 22 | F4AE0681D | 01.05 - | 5.9 | 211 | Bosch | LDFB0257 | 0445120007 |
| EuroCargo 230 E 22 | F4AE0681D | 03.06 - 12.09 | 5.9 | 210 | Bosch | LDFB0257 | 0445120007 |
| EuroCargo 230 E 24 | F4AE0681B | 03.06 - 12.11 | 5.9 | 239 | Bosch | LDFB0257 | 0445120007 |
| Scudato 60.13 | 8140.43S | 10.05 - 12.11 | 2.8 | 125 | Bosch | LDFB0254 | 0445120002 |
| Scudato 70 C 16 | F1CE0481 | 08.07 - 12.11 | 3.0 | 155 | Bosch | LDFB0168 | 0445110248 |
| Vertis 130V18 | NEF4 | 10.10 - 09.12 | 3.9 | 173 | Bosch | LDFB0271 | 0445120054 |
| Vertis 130V19 | NEF4 | 10.12 - | 3.9 | 182 | Bosch | LDFB0271 | 0445120054 |
| Vertis 90V16 | NEF4 | 10.10 - 09.12 | 3.9 | 154 | Bosch | LDFB0271 | 0445120054 |
| Vertis 90V18 | NEF4 | 10.12 - | 3.9 | 177 | Bosch | LDFB0271 | 0445120054 |

**Modelo****Código do Motor****Ano de Fabricação****Litros****Potência (HP)****Sistema de injeção****Referência Lucas Injetor****Referência Injetor****John Deere**

| | | | | | | | |
|-------------------------|------|---------|-----|--|-------|----------|-------------|
| John Deere Various 9.0D | S450 | 01.06 - | 9.0 | | Denso | LDFB0671 | 095000-648# |
|-------------------------|------|---------|-----|--|-------|----------|-------------|

Kia

| | | | | | | | |
|------------------|------|---------------|-----|-----|-------|----------|------------|
| Sorento 2.5 CRDI | D4CB | 03.06 - 08.09 | 2.5 | 170 | Bosch | LDFB0190 | 0445110274 |
| Sorento 2.5 CRDI | D4CB | 07.02 - 08.09 | 2.5 | 140 | Bosch | LDFB0126 | 0445110186 |
| Sorento 2.5 CRDI | D4CB | 03.06 - 08.09 | 2.5 | 170 | Bosch | LDFB0126 | 0445110186 |
| Sorento 2.5 CRDI | D4CB | 07.02 - 08.09 | 2.5 | 140 | Bosch | LDFB0193 | 0445110279 |
| Sorento 2.5 CRDI | D4CB | 03.06 - 08.09 | 2.5 | 170 | Bosch | LDFB0193 | 0445110279 |

Komatsu

| | | | | | | | |
|---------|------------|---------|-----|-----|-------|----------|------------|
| PC200-B | SAAD107E-1 | 12.07 - | 6.7 | 150 | Bosch | LDFB0771 | 0445120231 |
|---------|------------|---------|-----|-----|-------|----------|------------|

Mahindra

| | | | | | | | |
|--------------------------|---------|---------------|-----|-----|-------|----------|------------|
| Scorpio Pick-Up 2.6 CRDe | NEFCRDe | 02.08 - 12.12 | 2.6 | 110 | Bosch | LDFB0180 | 0445110260 |
| Scorpio SUV 2.6 CRDe | NEFCRDe | 02.08 - 12.12 | 2.6 | 110 | Bosch | LDFB0180 | 0445110260 |

Man

| | | | | | | | |
|------------|--------------|---------|-----|-----|-------|----------|------------|
| TGM 18.340 | D 0836 LFLAC | 06.16 - | 6.9 | 340 | Bosch | LDFB1915 | 0445120162 |
|------------|--------------|---------|-----|-----|-------|----------|------------|

Marcopolo

| | | | | | | | |
|--------|---------|---------|-----|-----|-------|----------|------------|
| Attack | ISF 3.8 | 01.16 - | 3.8 | 152 | Bosch | LDFB1880 | 0445120297 |
| V5 | ISF 3.8 | 01.16 - | 3.8 | 152 | Bosch | LDFB1880 | 0445120297 |
| V6 | ISF 3.8 | 01.16 - | 3.8 | 152 | Bosch | LDFB1880 | 0445120297 |
| V8 | ISF 3.8 | 01.16 - | 3.8 | 152 | Bosch | LDFB1880 | 0445120297 |
| WFLY | ISF 3.8 | 01.16 - | 3.8 | 152 | Bosch | LDFB1880 | 0445120297 |

Mercedes-Benz

| | | | | | | | |
|-------------------------|----------|---------------|-----|-----|--------|----------|------------|
| 311 CDI Sprinter | OM611 LA | 06.01 - 12.04 | 2.2 | 109 | Bosch | LDFB0129 | 0445110189 |
| 311 CDI Sprinter Street | OM611 LA | 01.09 - 05.12 | 2.2 | 129 | Bosch | LDFB0129 | 0445110189 |
| 313 CDI Sprinter | OM611 LA | 06.01 - 05.12 | 2.2 | 129 | Bosch | LDFB0129 | 0445110189 |
| 413 CDI Sprinter | OM611 LA | 06.01 - 05.12 | 2.2 | 129 | Bosch | LDFB0129 | 0445110189 |
| 715C (Accelo) | 612.983 | 01.04 - 12.05 | 2.7 | 156 | Bosch | LDFB0129 | 0445110189 |
| LO 815 | ISF 3.8 | 06.13 - | 3.8 | 152 | Bosch | LDFB1880 | 0445120297 |
| Sprinter 2.1 | 651.955 | 01.14 - 12.17 | 2.1 | 160 | Delphi | LDFB0427 | 28342997 |

Mitsubishi

| | | | | | | | |
|-------------|------|---------|-----|-----------|-------|----------|-------------|
| L200 3.2D | 4M41 | 01.06 - | 3.2 | 155 - 165 | Denso | LDFB0375 | 095000-576# |
| Pajero 3.2D | 4M41 | 01.05 - | 3.2 | 155 | Denso | LDFB0375 | 095000-576# |



Modelo

Código do Motor

Ano de Fabricação

Litros

Potência (HP)

Sistema de injeção

Referência Lucas Injetor

Referência Injetor

New Holland

| | | | | | | | |
|--------|-----------|---------------|-----|-----|-------|----------|------------|
| CR6.80 | CURSOR9 | 08.16 - | 8.7 | 330 | Bosch | LDFB1621 | 0445120092 |
| CR9060 | CURSOR9 | 10.07 - | 8.7 | 354 | Bosch | LDFB1621 | 0445120092 |
| D140B | 667TA/EDD | 12.16 - | 6.7 | 118 | Bosch | LDFB0272 | 0445120057 |
| D150B | 667TA/EDD | 10.07 - | 6.7 | 146 | Bosch | LDFB0272 | 0445120057 |
| T7060 | | 10.07 - 12.14 | 6.7 | 223 | Bosch | LDFB0257 | 0445120007 |
| W170B | NEF | 12.07 - | 6.7 | 197 | Bosch | LDFB0272 | 0445120057 |
| W190B | NEF | 12.07 - | 6.7 | 230 | Bosch | LDFB0272 | 0445120057 |

Nissan

| | | | | | | | |
|---------------------------------------|----------|---------------|-----|-----------|-------|----------|-------------|
| Frontier 2.8 Diesel Electronic | 4.07 TCE | 08.05 - 10.07 | 2.8 | 140 | Bosch | LDFB0160 | 0445110231 |
| Interstar 2.5 Diesel Turbo dCi G9U... | | 07.02 - 06.10 | 2.5 | | Bosch | LDFB0185 | 0445110265 |
| Navara 2.5D | YD25 | 01.05 - | 2.5 | 144 - 190 | Denso | LDFB0382 | 095000-625# |
| Pathfinder 2.5D | YD25 | 01.06 - | 2.5 | 190 | Denso | LDFB0382 | 095000-625# |
| Xterra 2.8 Diesel Electronic | 4.07 TCE | 08.05 - 10.07 | 2.8 | 140 | Bosch | LDFB0160 | 0445110231 |

Peugeot

| | | | | | | | |
|---------------|-----------|---------------|-----|-----------|-------|----------|-------------|
| Boxer 2.2D | 4HU | 01.06 - | 2.2 | 100 - 120 | Denso | LDFB0377 | 095000-580# |
| Boxer 2.3D | F1AE0481T | 10.09 - 02.12 | 2.3 | 127 | Bosch | LDFB0189 | 0445110273 |
| Boxer 2.3D | F1C | 03.12 - | 2.3 | 127 | Bosch | LDFB1914 | 0445110520 |
| Boxer 2.8 HDI | 8140.43S | 09.05 - 09.09 | 2.8 | 127 | Bosch | LDFB0254 | 0445120002 |

Renault



| | | | | | | | |
|--------------------|---------|---------------|-----|-----|-------|----------|------------|
| Master 2.3 dCi 16v | M9T | 03.12 - | 2.3 | 130 | Bosch | LDFB0096 | 0445110141 |
| Master 2.3 dCi 16v | M9T | 03.12 - | 2.3 | 130 | Bosch | LDFB0442 | 0445110375 |
| Master 2.3 dCi 16v | M9T | 03.12 - | 2.3 | 130 | Bosch | LDFB0442 | 0445110634 |
| Master 2.5 dCi 16v | G9U-724 | 10.04 - 02.12 | 2.5 | 115 | Bosch | LDFB0096 | 0445110141 |
| Master II 2.5 dCi | G9U... | 01.06 - 12.14 | 2.5 | | Bosch | LDFB0185 | 0445110265 |

SsangYong

| | | | | | | | |
|--------------------|------------------|---------------|-----|-----|--------|----------|----------|
| Actyon 2.0 Xdi | D20DTF (664.951) | 01.07 - 12.12 | 2.0 | 139 | | Delphi | LDFB0320 |
| R04501D | | | | | | | |
| Korando 2.0 e-XDi | D20DTF | 01.11 - | 2.0 | 173 | Delphi | LDFB0562 | R00301D |
| Korando 2.0 e-XDi | 671.950 (D20) | 01.11 - | 2.0 | 147 | Delphi | LDFB0562 | R00301D |
| Korando 2.2D e-Xdi | 672.950 | 01.15 - | 2.2 | 175 | Delphi | LDFB0562 | R00301D |
| Kyron M200 XDi | D20DT (664.950) | 01.05 - 12.11 | 2.0 | 139 | | Delphi | LDFB0320 |

Toyota

| | | | | | | | |
|-------------------|---------|---------|-----|-----------|-------|----------|-------------|
| Hiace 2.5D | 2KD-FTV | 01.05 - | 2.5 | 100 - 144 | Denso | LDFB0702 | 095000-829# |
| Hiace 3.0D | 1KD-FTV | 01.05 - | 3.0 | 171 | Denso | LDFB0702 | 095000-829# |
| Hilux 2.5D | 2KD-FTV | 01.05 - | 2.5 | 100 | Denso | LDFB0412 | 095000-776# |
| Hilux 2.5D | 2KD-FTV | 01.05 - | 2.5 | 100 - 144 | Denso | LDFB0702 | 095000-829# |
| Hilux 3.0D | 1KD-FTV | 01.05 - | 3.0 | 171 | Denso | LDFB0702 | 095000-829# |
| Land Cruiser 3.0D | 1KD-FTV | 01.05 - | 3.0 | 171 | Denso | LDFB0702 | 095000-829# |

|  |  |  |  |  |  |  |  |
|---|---|---|---|---|---|---|---|
| Modelo | Código do Motor | Ano de Fabricação | Litros | Potência (HP) | Sistema de injeção | Referência Lucas Injetor | Referência Injetor |
| Volkswagen | | | | | | | |
| 10.160 Delivery | ISF 3.8 | 08.12 - | 3.8 | 162 | Bosch | LDFB1880 | 0445120297 |
| 11.180 Delivery | ISF 3.8 | 09.17 - | 3.8 | 175 | Bosch | LDFB1880 | 0445120297 |
| 13.160 Delivery | ISF 3.8 | 08.15 - | 3.8 | 162 | Bosch | LDFB1880 | 0445120297 |
| 15.180 EOD | 4.12 TCE | 01.05 - 12.07 | 4.7 | | Bosch | LDFB0750 | 0445120043 |
| 15.190 EOD | 4.12 TCE | 10.06 - 02.12 | 4.7 | | Bosch | LDFB0750 | 0445120043 |
| 15.190 OD | D0834 | 03.12 - | 4.6 | 186 | Bosch | LDFB1915 | 0445120162 |
| 17.210 EOD | 6.12 TCE | 02.04 - 12.07 | 7.1 | | Bosch | LDFB0750 | 0445120043 |
| 17.230 EOD | 6.12 TCE | 10.06 - 02.12 | 7.1 | | Bosch | LDFB0750 | 0445120043 |
| 17.230 OD | D0834 | 03.12 - | 4.6 | 226 | Bosch | LDFB1915 | 0445120162 |
| 17.260 EOD | 6.12 TCE | 02.04 - 02.12 | 7.1 | | Bosch | LDFB0750 | 0445120043 |
| 17.280 OT | D0836 | 03.12 - | 6.8 | 275 | Bosch | LDFB1916 | 0445120186 |
| 18.320 EOT | ISC | 07.06 - 12.11 | 8.3 | 315 | Bosch | LDFB0763 | 0445120120 |
| 18.320 EOT | ISC | 07.06 - 12.11 | 8.3 | 315 | Bosch | LDFB0768 | 0445120140 |
| 18.330 OT | ISL | 03.12 - | 8.9 | 329 | Bosch | LDFB1867 | 0445120257 |
| 26.330 OTA | ISL | 10.12 - | 8.9 | 335 | Bosch | LDFB1867 | 0445120257 |
| 27.260 OD | D0834 | 10.12 - | 4.6 | 256 | Bosch | LDFB1915 | 0445120162 |
| 5.140E Delivery | 4.08 TCE | 10.05 - 12.11 | 3.0 | 137 | Bosch | LDFB0160 | 0445110231 |
| 5.140EOD | 4.08 TCE | 10.05 - 02.12 | 3.0 | 137 | Bosch | LDFB0160 | 0445110231 |
| 5.150 Delivery | ISF 3.8 | 01.12 - | 3.8 | 152 | Bosch | LDFB1880 | 0445120297 |
| 5.150 OD | ISF 3.8 | 03.12 - | 3.8 | 152 | Bosch | LDFB1880 | 0445120297 |
| 8.150 EOD | 4.12 TCE | 02.04 - 12.11 | 4.7 | | Bosch | LDFB0750 | 0445120043 |
| 8.150 EOD Electronic | 4.08 TCE | 02.08 - 02.12 | 3.0 | | Bosch | LDFB0750 | 0445120043 |
| 8.150E Delivery | 4.08 TCE | 10.05 - 12.11 | 3.0 | 137 | Bosch | LDFB0160 | 0445110231 |
| 8.160 Delivery | ISF 3.8 | 01.12 - | 3.8 | 162 | Bosch | LDFB1880 | 0445120297 |
| 8.160 Delivery 3.8 | ISF 3.8 | 09.14 - | 3.8 | 160 | Bosch | LDFB1880 | 0445120297 |
| 8.160 OD | ISF 3.8 | 03.12 - | 3.8 | 162 | Bosch | LDFB1880 | 0445120297 |
| 9.150 EOD | 4.12 TCE | 02.04 - 02.12 | 4.7 | | Bosch | LDFB0750 | 0445120043 |
| 9.160 Delivery | ISF 3.8 | 01.12 - | 3.8 | 162 | Bosch | LDFB1880 | 0445120297 |
| 9.160 OD | ISF 3.8 | 03.12 - | 3.8 | 162 | Bosch | LDFB1880 | 0445120297 |
| 9.170 Delivery | ISF 3.8 | 09.17 - | 3.8 | 165 | Bosch | LDFB1880 | 0445120297 |
| Amarok 2.0 TDI | CNEA / CSHA | 11.11 - 10.16 | 2.0 | 180 | Bosch | LDFB0225 | 0445110369 |
| Amarok 2.0 TDI | CNFB | 06.12 - 10.16 | 2.0 | 140 | Bosch | LDFB0225 | 0445110369 |
| Amarok 2.0 TDI 4Motion | CNEA / CSHA | 11.11 - 10.16 | 2.0 | 180 | Bosch | LDFB0225 | 0445110369 |
| Amarok 2.0 TDI 4Motion | CNFB | 06.12 - 10.16 | 2.0 | 140 | Bosch | LDFB0225 | 0445110369 |
| Constellation 13.180 | 4.12 TCE | 04.06 - 12.11 | 4.7 | | Bosch | LDFB0757 | 0445120089 |
| Constellation 13.190 | D0834 | 01.12 - | 4.6 | 186 | Bosch | LDFB1915 | 0445120162 |
| Constellation 15.180 | 4.12 TCE | 04.06 - 12.11 | 4.7 | | Bosch | LDFB0757 | 0445120089 |
| Constellation 15.190 | D0834 | 01.12 - | 4.6 | 186 | Bosch | LDFB1915 | 0445120162 |
| Constellation 17.190 | D0834 | 01.12 - | 4.6 | 186 | Bosch | LDFB1915 | 0445120162 |
| Constellation 17.280 | D0836 | 01.12 - | 6.9 | 279 | Bosch | LDFB1916 | 0445120186 |
| Constellation 17.320 | ISC | 06.10 - 12.11 | 8.3 | 320 | Bosch | LDFB0763 | 0445120120 |
| Constellation 17.330 | ISL 8.9 | 01.12 - | 8.9 | 335 | Bosch | LDFB1867 | 0445120257 |
| Constellation 19.320 Titan | ISC | 10.05 - 12.11 | 8.3 | 320 | Bosch | LDFB0763 | 0445120120 |
| Constellation 19.320 Titan | ISC | 10.05 - 12.11 | 8.3 | 320 | Bosch | LDFB0768 | 0445120140 |
| Constellation 19.330 | ISL 8.9 | 01.12 - | 8.9 | 335 | Bosch | LDFB1867 | 0445120257 |
| Constellation 19.360 | ISL 8.9 | 08.15 - | 8.9 | 360 | Bosch | LDFB1867 | 0445120257 |
| Constellation 19.390 | ISL 8.9 | 01.12 - | 8.9 | 400 | Bosch | LDFB1867 | 0445120257 |
| Constellation 19.420 V-Tronic | ISL 8.9 | 11.13 - | 8.9 | 420 | Bosch | LDFB1867 | 0445120257 |
| Constellation 24.280 | D0836 | 01.12 - | 6.9 | 279 | Bosch | LDFB1916 | 0445120186 |
| Constellation 24.320 | ISC | 06.10 - 12.11 | 8.3 | 320 | Bosch | LDFB0763 | 0445120120 |
| Constellation 24.330 | ISL 8.9 | 01.12 - | 8.9 | 335 | Bosch | LDFB1867 | 0445120257 |
| Constellation 25.320 | ISC | 03.08 - 12.11 | 8.3 | 320 | Bosch | LDFB0763 | 0445120120 |
| Constellation 25.320 | ISC | 03.08 - 12.11 | 8.3 | 320 | Bosch | LDFB0768 | 0445120140 |



Modelo

Código do Motor

Ano de Fabricação

Litros

Potência (HP)

Sistema de injeção

Referência Lucas Injetor

Referência Injetor

Volkswagen

| | | | | | | | |
|-------------------------------|----------|---------------|-----|-----|-------|----------|------------|
| Constellation 25.360 | ISL 8.9 | 08.15 - | 8.9 | 360 | Bosch | LDFB1867 | 0445120257 |
| Constellation 25.390 | ISL 8.9 | 01.12 - | 8.9 | 400 | Bosch | LDFB1867 | 0445120257 |
| Constellation 25.420 V-Tronic | ISL 8.9 | 11.13 - | 8.9 | 420 | Bosch | LDFB1867 | 0445120257 |
| Constellation 26.260 | 6.12 TCE | 07.08 - 12.11 | 7.1 | | Bosch | LDFB0757 | 0445120089 |
| Constellation 26.280 | D0836 | 01.12 - | 6.9 | 279 | Bosch | LDFB1916 | 0445120186 |
| Constellation 26.390 | ISL 8.9 | 01.12 - | 8.9 | 400 | Bosch | LDFB1867 | 0445120257 |
| Constellation 26.420 V-Tronic | ISL 8.9 | 11.13 - | 8.9 | 420 | Bosch | LDFB1867 | 0445120257 |
| Constellation 31.2320 | ISC | 02.07 - 12.11 | 8.3 | 320 | Bosch | LDFB0763 | 0445120120 |
| Constellation 31.260 | 6.12 TCE | 07.08 - 12.11 | 7.1 | | Bosch | LDFB0757 | 0445120089 |
| Constellation 31.280 | D0836 | 01.12 - | 6.9 | 279 | Bosch | LDFB1916 | 0445120186 |
| Constellation 31.320 | ISC | 02.07 - 12.11 | 8.3 | 320 | Bosch | LDFB0768 | 0445120140 |
| Constellation 31.330 | ISL 8.9 | 01.12 - | 8.9 | 335 | Bosch | LDFB1867 | 0445120257 |
| Constellation 31.390 | ISL 8.9 | 01.12 - | 8.9 | 400 | Bosch | LDFB1867 | 0445120257 |
| Worker 13.180E | 4.12 TCE | 06.05 - 12.11 | 4.7 | | Bosch | LDFB0750 | 0445120043 |
| Worker 13.190 | D0834 | 01.12 - | 4.6 | 186 | Bosch | LDFB1915 | 0445120162 |
| Worker 15.180E | 4.12 TCE | 06.05 - 12.11 | 4.7 | | Bosch | LDFB0750 | 0445120043 |
| Worker 15.190 | D0834 | 01.12 - | 4.6 | 186 | Bosch | LDFB1915 | 0445120162 |
| Worker 17.190 | D0834 | 01.12 - | 4.6 | 186 | Bosch | LDFB1915 | 0445120162 |
| Worker 26.260E | 6.12 TCE | 01.06 - 12.11 | 7.1 | | Bosch | LDFB0750 | 0445120043 |
| Worker 31.260E | 6.12 TCE | 01.06 - 12.11 | 7.1 | | Bosch | LDFB0750 | 0445120043 |

Volvo

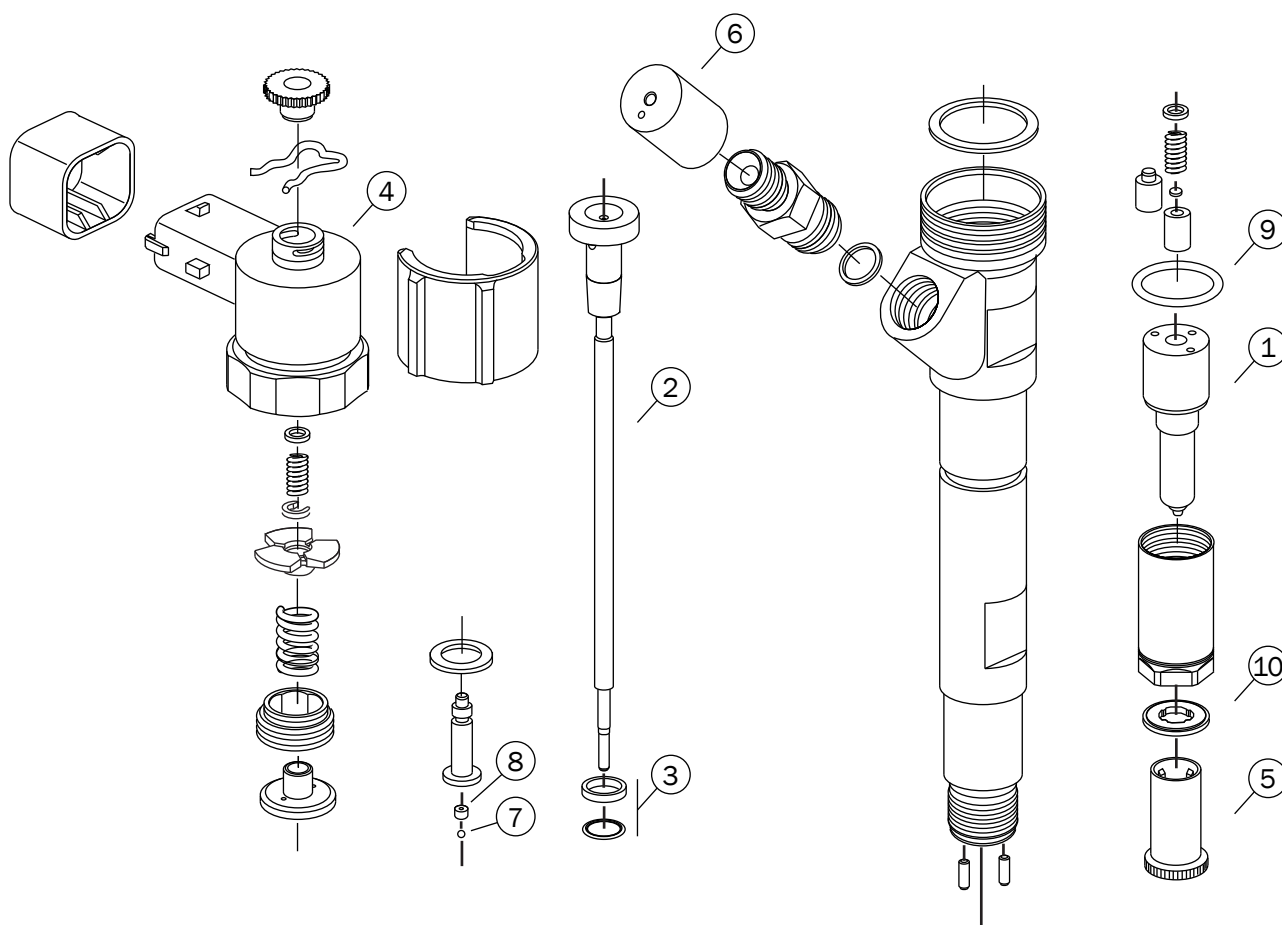
| | | | | | | | |
|------------|----------|--|--|--|-------|----------|------------|
| Excavator | EC210 | | | | Bosch | LDFB0754 | 0445120067 |
| Industrial | TAD650VE | | | | Bosch | LDFB0754 | 0445120067 |

Itens de Reposição

| | |
|------------|----|
| Bosch Cri | 11 |
| Bosch Crin | 12 |
| Delphi | 13 |
| Denso | 14 |
| VDO | 15 |

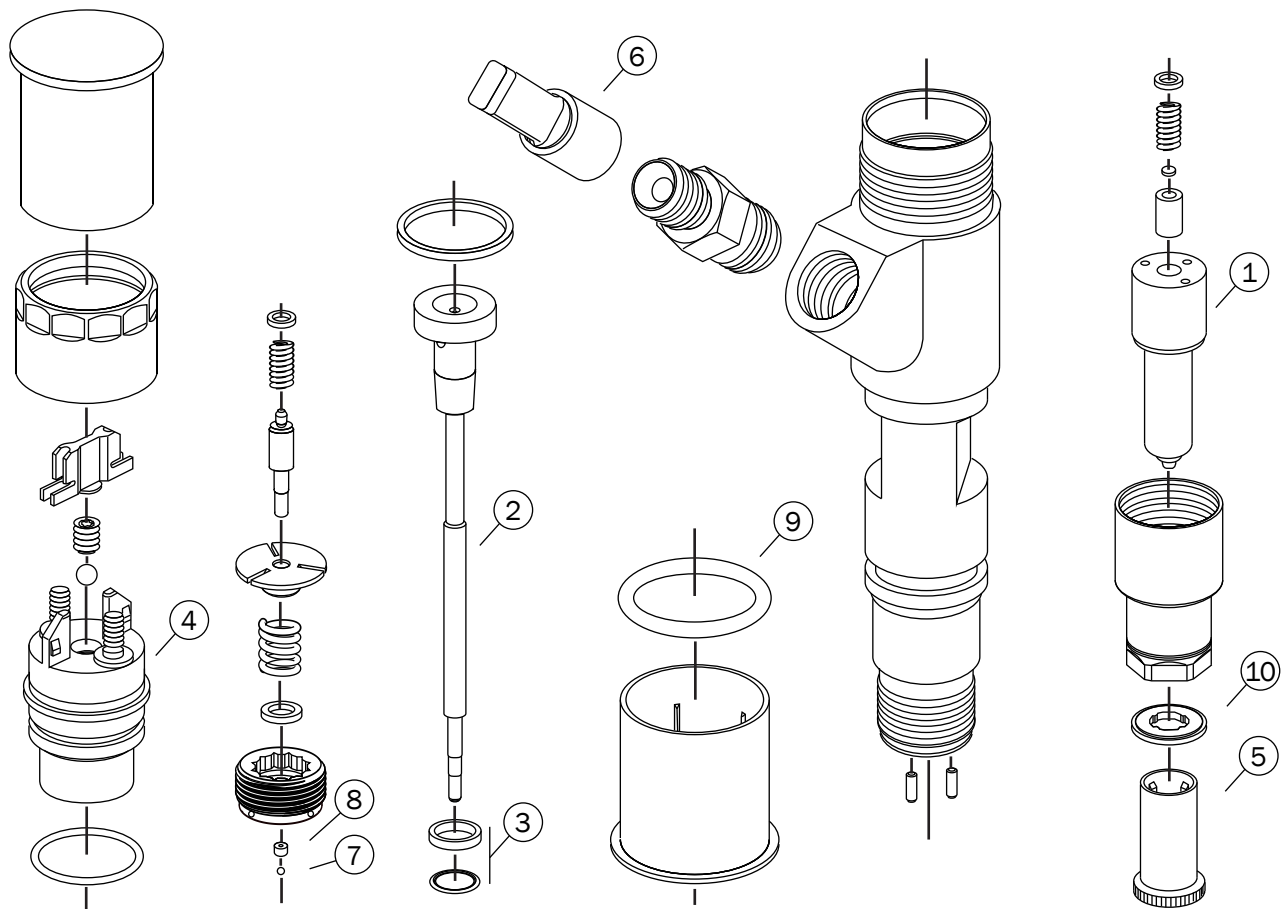
BOSCH CRI

| Referência Injetor | Referência Lucas | Bico Injetor ① | Jogo da válvula ② | Jogo de Peças ③ | Solenóide ④ | Tampa do Bico ⑤ | Tampa da entrada ⑥ | Esfera da válvula ⑦ | Guia de Esfera ⑧ | Anel-O ⑨ | Anel de Vedação ⑩ |
|--------------------|------------------|-------------------|----------------------|--------------------|----------------|--------------------|-----------------------|------------------------|---------------------|-------------|----------------------|
| 0445110141 | LDFB0096 | LDFN0161 | LDHF0099 | LDFG1119 | LDFG2424 | LDFG2431 | LDFG2432 | LDFG1327 | LDFG1326 | | LDFG2434 |
| 0445110186 | LDFB0126 | LDFN0345 | LDHF0102 | LDFG1119 | LDFG2424 | LDFG2431 | LDFG2432 | LDFG1327 | LDFG1326 | LDFG2510 | LDFG2436 |
| 0445110189 | LDFB0129 | LDFN0559 | LDHF0115 | LDFG1119 | LDFG2423 | LDFG2431 | LDFG2432 | LDFG1327 | LDFG1326 | | LDFG2434 |
| 0445110231 | LDFB0160 | LDFN0176 | LDHF0100 | LDFG1119 | LDFG2424 | LDFG2431 | LDFG2432 | LDFG1327 | LDFG1326 | | LDFG2434 |
| 0445110248 | LDFB0168 | LDFN0058 | LDHF0155 | LDFG1119 | LDFG2426 | LDFG2431 | LDFG2432 | LDFG1652 | LDFG1325 | | |
| 0445110260 | LDFB0180 | LDFN0297 | LDHF0153 | LDFG1119 | LDFG2426 | LDFG2431 | LDFG2432 | LDFG1652 | LDFG1325 | | LDFG2438 |
| 0445110265 | LDFB0185 | LDFN0419 | LDHF0167 | LDFG1119 | LDFG2425 | LDFG2431 | LDFG2432 | LDFG1652 | LDFG1325 | | LDFG1130 |
| 0445110273 | LDFB0189 | LDFN0087 | LDHF0155 | LDFG1119 | LDFG2426 | LDFG2431 | LDFG2432 | LDFG1652 | LDFG1325 | | |
| 0445110274 | LDFB0190 | LDFN0314 | LDHF0166 | LDFG1119 | LDFG2425 | LDFG2431 | LDFG2432 | LDFG1652 | LDFG1325 | LDFG2510 | LDFG2436 |
| 0445110279 | LDFB0193 | LDFN0345 | LDHF0102 | LDFG1119 | LDFG2424 | LDFG2431 | LDFG2432 | LDFG1327 | LDFG1326 | | LDFG2436 |
| 0445110354 | LDFB1530 | LDFN1769 | LDHF0194 | LDFG1119 | LDFG2425 | LDFG2431 | LDFG2432 | LDFG1652 | LDFG1325 | | LDFG2434 |
| 0445110369 | LDFB0225 | LDFN1228 | LDHF0268 | LDFG1119 | | LDFG2431 | LDFG2432 | | | | LDFG2434 |
| 0445110375 | LDFB0442 | LDFN1705 | LDHF0195 | LDFG1119 | LDFG2425 | LDFG2431 | LDFG2432 | LDFG1652 | LDFG1325 | | LDFG1138 |
| 0445110424 | LDFB1964 | LDFN1769 | LDHF0194 | LDFG1119 | LDFG2425 | LDFG2431 | LDFG2432 | LDFG1652 | LDFG1325 | | LDFG2434 |
| 0445110520 | LDFB1914 | LDFN0063 | LDHF0269 | LDFG1119 | | LDFG2431 | LDFG2432 | | | | LDFG2434 |
| 0445110634 | LDFB0442 | LDFN1705 | LDHF0195 | LDFG1119 | LDFG2425 | LDFG2431 | LDFG2432 | | | | LDFG2436 |



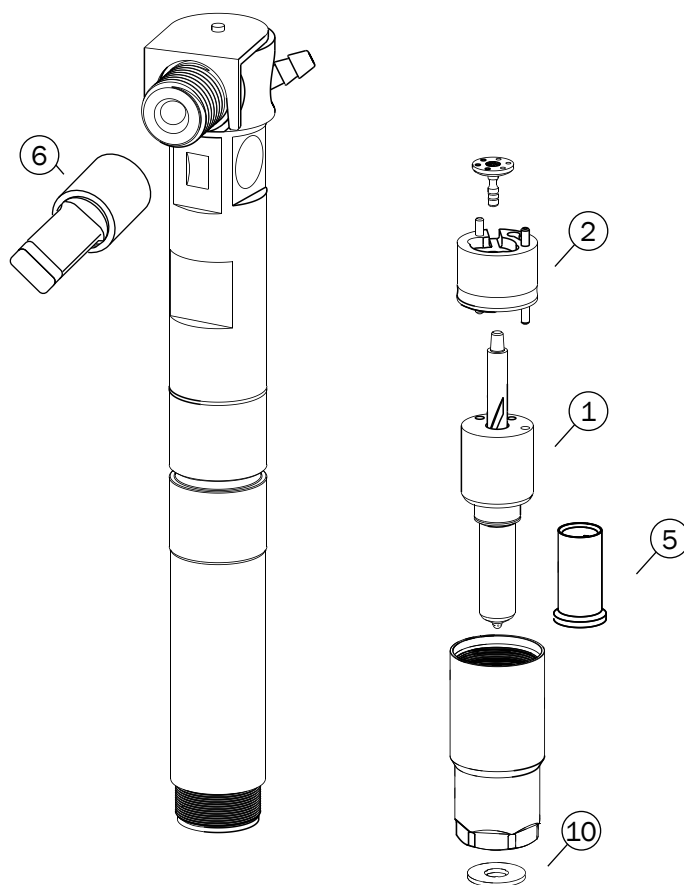
BOSCH CRIN

| Referência Injetor | Referência Lucas | Bico Injetor ① | Jogo da válvula ② | Jogo de Peças ③ | Solenoide ④ | Tampa do Bico ⑤ | Tampa da entrada ⑥ | Esfera da válvula ⑦ | Guia de Esfera ⑧ | Anel-O ⑨ | Anel de Vedação ⑩ |
|--------------------|------------------|-------------------|----------------------|--------------------|----------------|--------------------|-----------------------|------------------------|---------------------|-------------|----------------------|
| 0445120002 | LDFB0254 | LDFN0464 | LD FH0003 | LD FG1119 | LD FG2422 | LD FG2431 | LD FG2433 | LD FG1327 | LD FG1326 | | |
| 0445120007 | LDFB0257 | LDFN0488 | LD FH0006 | LD FG1119 | LD FG2396 | LD FG2431 | | LD FG1327 | LD FG1326 | LD FG0734 | LD FG2434 |
| 0445120043 | LDFB0750 | LDFN0103 | LD FH0241 | LD FG1119 | LD FG2421 | LD FG2427 | LD FG2433 | LD FG1327 | LD FG1326 | | |
| 0445120054 | LDFB0271 | LDFN1511 | LD FH0026 | LD FG1119 | LD FG2415 | LD FG2427 | | LD FG1327 | LD FG1326 | LD FG0734 | LD FG2434 |
| 0445120057 | LDFB0272 | LDFN1770 | LD FH0026 | LD FG1119 | LD FG2415 | LD FG2431 | | LD FG1327 | LD FG1326 | LD FG0734 | LD FG2434 |
| 0445120067 | LDFB0754 | LDFN1077 | LD FH0032 | LD FG1119 | LD FG2415 | LD FG2427 | LD FG2433 | LD FG1327 | LD FG1326 | | LD FG1133 |
| 0445120089 | LDFB0757 | LDFN0105 | LD FH0241 | LD FG1119 | LD FG2396 | LD FG2427 | LD FG2433 | LD FG1327 | LD FG1326 | | |
| 0445120092 | LDFB1621 | LDFN1738 | LD FH0044 | LD FG1119 | LD FG2415 | LD FG2427 | LD FG2433 | LD FG1327 | LD FG1326 | | |
| 0445120120 | LDFB0763 | LDFN0030 | LD FH0047 | LD FG1119 | LD FG2396 | LD FG2427 | | LD FG1327 | LD FG1326 | LD FG0734 | LD FG2434 |
| 0445120140 | LDFB0768 | LDFN0036 | LD FH0047 | LD FG1119 | LD FG2396 | LD FG2427 | | LD FG1327 | LD FG1326 | LD FG0734 | LD FG2434 |
| 0445120161 | LDFB1670 | LDFN1708 | LD FH0049 | LD FG1119 | LD FG2415 | LD FG2427 | | LD FG1327 | LD FG1326 | LD FG0734 | LD FG1133 |
| 0445120162 | LDFB1915 | LDFN1724 | LD FH0242 | LD FG1119 | LD FG2415 | LD FG2427 | | LD FG1327 | LD FG1326 | LD FG0732 | LD FG1135 |
| 0445120186 | LDFB1916 | LDFN1725 | LD FH0242 | LD FG1119 | LD FG2415 | LD FG2427 | | LD FG1327 | LD FG1326 | LD FG0732 | LD FG1135 |
| 0445120212 | LDFB0718 | LDFN0485 | LD FH0061 | LD FG1119 | LD FG2396 | LD FG1468 | | LD FG1327 | LD FG1326 | LD FG0734 | LD FG2434 |
| 0445120231 | LDFB0771 | LDFN0459 | LD FH0061 | LD FG1119 | LD FG2396 | LD FG2427 | | LD FG1327 | LD FG1326 | LD FG2061 | LD FG1133 |
| 0445120257 | LDFB1867 | LDFN1754 | LD FH0078 | LD FG1119 | LD FG2415 | LD FG2427 | | LD FG1327 | LD FG1326 | LD FG2061 | LD FG1133 |
| 0445120267 | LDFB1844 | LDFN1767 | LD FH0049 | LD FG1119 | LD FG2415 | LD FG2427 | | LD FG1327 | LD FG1326 | LD FG0734 | LD FG1133 |
| 0445120297 | LDFB1880 | LDFN1768 | LD FH0059 | LD FG1119 | LD FG2415 | LD FG2428 | LD FG2433 | LD FG1327 | LD FG1326 | LD FG0737 | LD FG1137 |



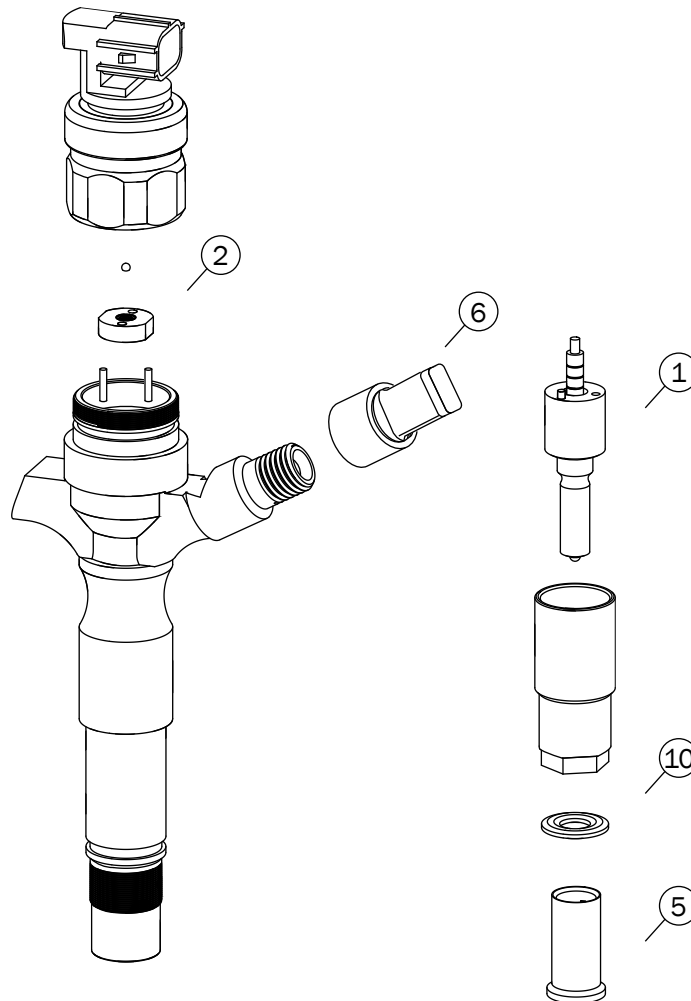
DELPHI

| Referência Injetor | Referência Lucas | Bico Injetor ① | Jogo da válvula ② | Jogo de Peças ③ | Solenoide ④ | Tampa do Bico ⑤ | Tampa da entrada ⑥ | Esfera da válvula ⑦ | Guia de Esfera ⑧ | Anel-O ⑨ | Anel de Vedação ⑩ |
|--------------------|------------------|-------------------|----------------------|--------------------|----------------|--------------------|-----------------------|------------------------|---------------------|-------------|----------------------|
| R04501D | LDFB0320 | LDFN1709 | LDHF0216 | | | LDFG2431 | LDFG2432 | | | | LDFG1157 |
| 28342997 | LDFB0427 | LDFN1733 | LDHF0264 | | | LDFG2431 | LDFG2432 | | | | LDFG2434 |
| 28229873 | LDFB0711 | LDFN1765 | LDHF0266 | | | LDFG2431 | LDFG2432 | | | | |
| R00301D | LDFB0562 | LDFN1766 | LDHF0270 | | | LDFG2431 | LDFG2432 | | | | LDFG1156 |



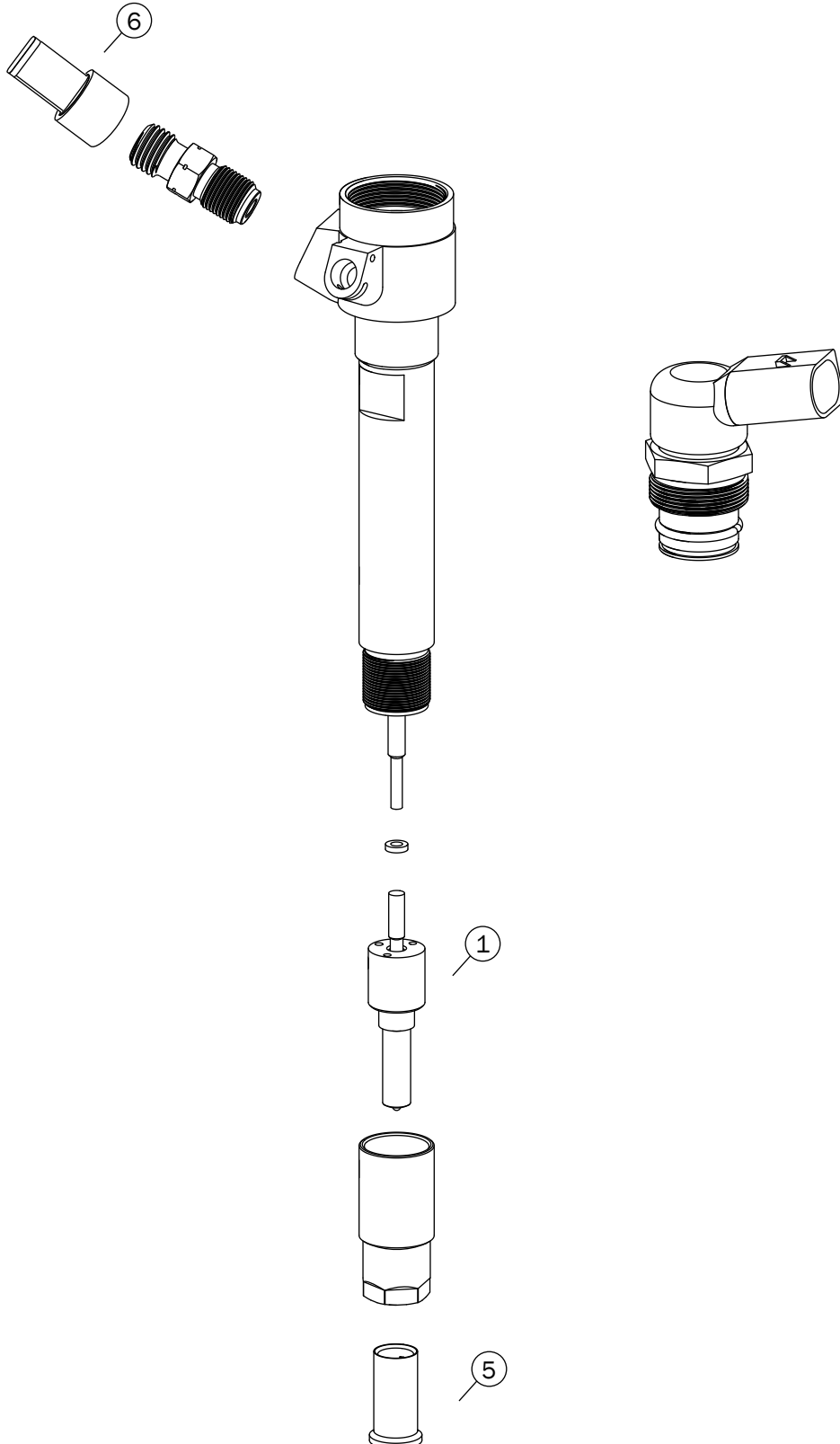
DENSO

| Referência Injetor | Referência Lucas | Bico Injetor 1 | Jogo da válvula 2 | Jogo de Peças 3 | Solenoide 4 | Tampa do Bico 5 | Tampa da entrada 6 | Esfera da válvula 7 | Guia de Esfera 8 | Anel-O 9 | Anel de Vedação 10 |
|--------------------|------------------|-------------------|----------------------|--------------------|----------------|--------------------|-----------------------|------------------------|---------------------|-------------|-----------------------|
| 0095000-576# | LDFB0375 | LDFN0721 | LDFH0219 | | | LDFG2431 | LDFG2432 | | | | |
| 095000-580# | LDFB0377 | LDFN0757 | LDFH0217 | | | LDFG2431 | LDFG2432 | | | | LDFG2436 |
| 095000-625# | LDFB0382 | LDFN0754 | LDFH0226 | | | LDFG2431 | LDFG2432 | | | | LDFG2435 |
| 095000-648# | LDFB0671 | LDFN1067 | LDFH0221 | | | LDFG2431 | LDFG2432 | | | | |
| 095000-776# | LDFB0412 | LDFN0716 | LDFH0221 | | | LDFG2431 | LDFG2432 | | | | |
| 095000-829# | LDFB0702 | LDFN0766 | LDFH0221 | | | LDFG2431 | LDFG2432 | | | | |



VDO

| Referência Injetor | Referência Lucas | Bico Injetor 1 | Jogo da válvula 2 | Jogo de Peças 3 | Solenóide 4 | Tampa do Bico 5 | Tampa da entrada 6 | Esfera da válvula 7 | Guia de Esfera 8 | Anel-O 9 | Anel de Vedação 10 |
|--------------------|------------------|-------------------|----------------------|--------------------|----------------|--------------------|-----------------------|------------------------|---------------------|-------------|-----------------------|
| 77550 | LDFB0710 | LDFN1156 | | | | LDFG2431 | LDFG2432 | | | | |
| 5WS40745-ZR | LDFB0527 | LDFN1231 | | | | LDFG2431 | LDFG2432 | | | | |



Referências

| | |
|------------|----|
| Bosch Cri | 17 |
| Bosch Crin | 17 |
| Delphi | 17 |
| Denso | 18 |
| VDO | 18 |

DENSO

| Fabricante | Lucas |
|-------------------|--------------|
| 093400-1024 | LDFO716 |
| 093400-1062 | LDFO766 |
| 093400-8750 | LDFO721 |
| 093400-8840 | LDFO757 |
| 093400-8890 | LDFO1067 |
| 093400-9470 | LDFO754 |
| 095000-576# | LDFO375 |
| 095000-580# | LDFO377 |
| 095000-625# | LDFO382 |
| 095000-648# | LDFO671 |
| 095000-776# | LDFO412 |
| 095000-829# | LDFO702 |
| Para 095000-576# | LDFO219 |
| Para 095000-580# | LDFO217 |
| Para 095000-625# | LDFO226 |
| Para 095000-648# | LDFO221 |
| Para 095000-776# | LDFO221 |
| Para 095000-829# | LDFO221 |

VDO

| Fabricante | Lucas |
|-------------------|--------------|
| 77550 | LDFO710 |
| 5WS40745-ZR | LDFO527 |
| M019P140 | LDFO1231 |
| M1600P150 | LDFO1156 |

EUROPE

UK - Unit 8 Mainstream Way - 47 Mainstream Way
B7 4SN - Saltley - Birmingham

SPAIN - Pol. Ind. Morea Sur, 59 - 31191 Beriain - Navarre

ITALY - Via F. Filzi, 15 - 20032 Cormano - Milan

NORTH AMERICA

USA - Southfield Town Center - 1000 Town Center - 7th floor
48075 Southfield - Detroit - Michigan

CENTRAL AMERICA

PANAMA - Boulevard Costa del Este
Financial Park Tower - Planta 20 - Costa del Este - Panama City

SOUTH AMERICA

BRAZIL - Funchal, 418 - Vila Olímpia - São Paulo/SP – CEP:04551-060 – E-Tower – Andar 35